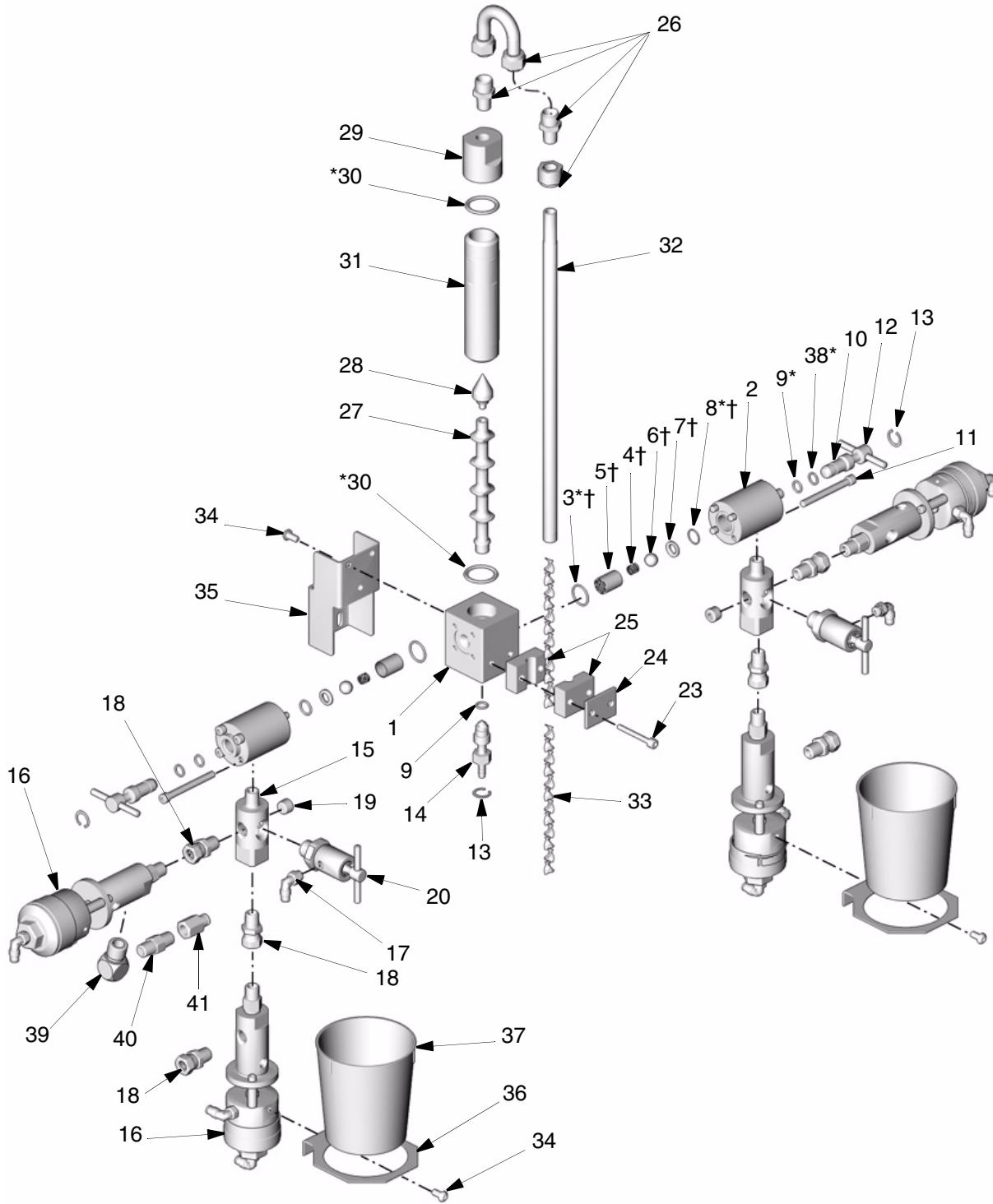


# Parts

Part No. 248251



T14532A

**Part No. 248251**

Used with ProMix™ II Proportioner

Ref. No.	Part No.	Description	Qty.	Ref. No.	Part No.	Description	Qty.
1	15D982	Integrator Body	1	23	101885	Screw; 1/4-20 UNC x 1.75"	2
2	15D310	Manifold Housing	2	24	118831	Clamp Cover	1
3*†	110135	O-Ring; PTFE	2	25	118830	Tube Clamp	2
4†	117558	Spring	2	26	118823	U-tube	1
5†	15D312	Ball Guide Bushing	2	27	15D637	Integrator Mixer	1
6†	105445	Ball; 1/2"	2	28	15D638	Mixer Cap	1
7†	196832	Seat	2	29	15D412	Integrator Cap	1
8*†	104319	O-Ring; PTFE	2	30*	110966	O-Ring; PTFE	2
9*	119348	O-Ring; perfluoroelastomer	3	31	15D389	Integrator Housing	1
10	15D311	Valve, stem	2	32	15D430	Static Mixer Tube	1
11	101950	Screw; 1/4-20 UNC x 2.5"	8	33	118822	Static Mixer Element	2
12	102915	Drive Pin	2	34	112925	Screw; 1/4-20 UNC x .375	5
13	110082	Retaining Ring	3	35	15D245	Mounting Bracket	1
14	15D983	Drain Valve	1	36	15D643	Beaker Bracket	2
15	15D336	Ratio Housing	2	37	114169	Beaker Cup	2
16	287222	Dispense Valve; see manual 310655	4	38*	119187	O-Ring, backup; PTFE	2
17	114151	Elbow, swivel; 1/4 npt x 5/32 OD tube	2	39	166866	Elbow, street; 1/4-18 npt	1
18	114339	Union, swivel; 1/4-18 npsm x 1/4-18 npt	4	40	501867	Check Valve	1
19	101970	Pipe Plug; 1/4-18 ptf	2	41	114112	Connector; 1/4 npt x 1/4 OD tube	1
20	248191	Sampling Valve	2	42	598095	Tube, nylon; 5/32 OD, 2 ft. (.61 m) (not shown)	**

\* Parts included in Kit 248444 (purchase separately).

† Parts included in Kit 248430 (purchase separately).

\*\* Order length needed.