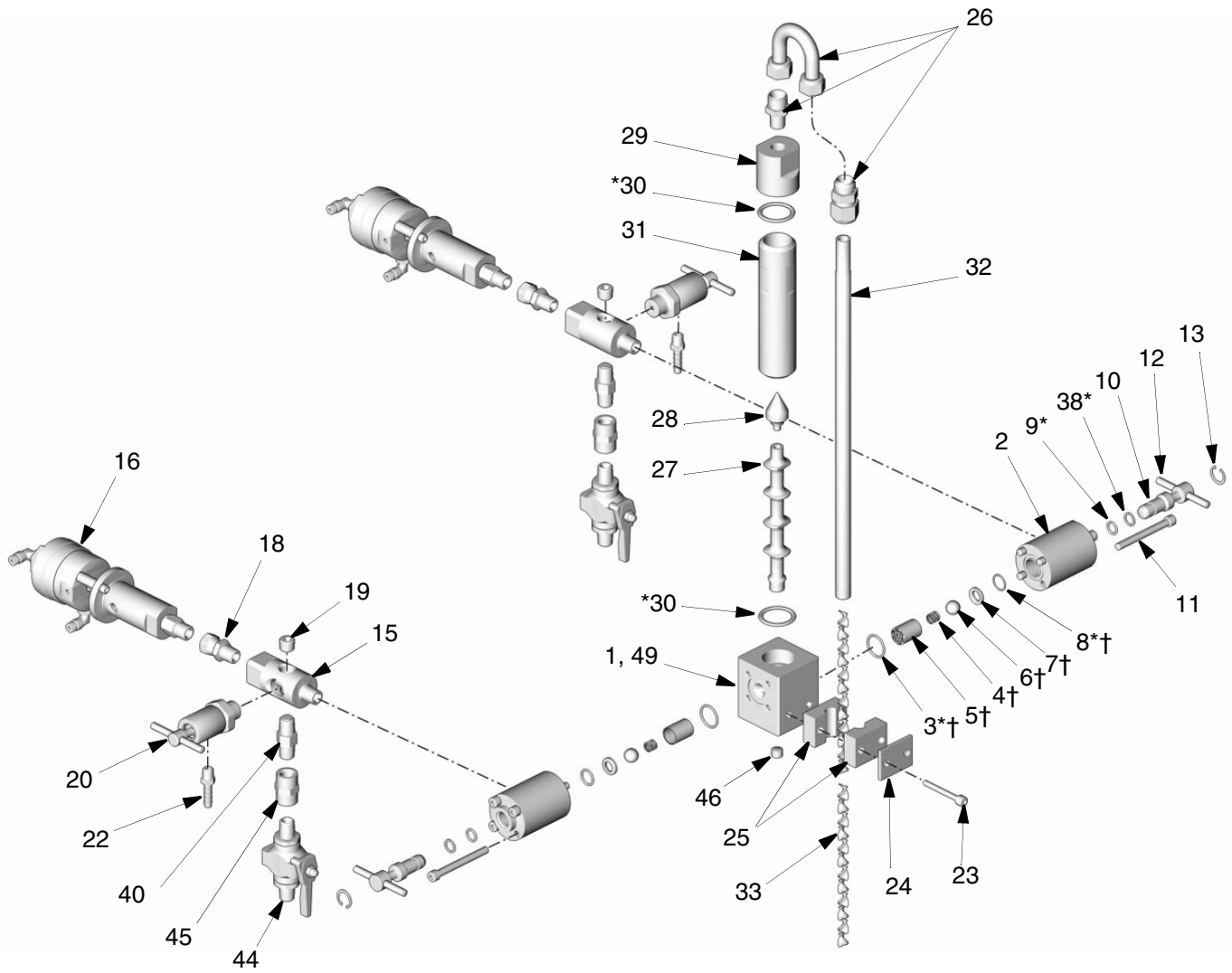


Part No. 234451 and 234593



T14534A

Part No. 234451

Used with ProMix Easy™ Proportioner (stainless steel)

Ref. No.	Part No.	Description	Qty.
1	15D239	Integrator Body	1
2	15D310	Manifold Housing	2
3*†	110135	O-Ring; PTFE	2
4†	117558	Spring	2
5†	15D312	Ball Guide Bushing	2
6†	105445	Ball; 1/2"	2
7†	196832	Seat	2
8*†	104319	O-Ring; PTFE	2
9*	119348	O-Ring; perfluoroelastomer	2
10	15D311	Valve	2
11	101950	Screw; 1/4-20 UNC x 2.5"	8
12	102915	Drive Pin	2
13	110082	Retaining Ring	2
15	15D336	Ratio Housing	2
16	287222	Dispense Valve; see manual 310655	2
18	114339	Swivel Union; 1/4-18 npsm x 1/4-18 npt	2
19	101970	Pipe Plug; 1/4-18 ptf	2
20	248191	Sampling Valve	2
22	116746	Barbed Fitting	2
23	101885	Screw; 1/4-20 UNC x 1.75"	2
24	118831	Clamp Cover	1
25	118830	Tube Clamp	1
26	118823	U-tube	1
27	15D637	Integrator Mixer	1
28	15D638	Mixer Cap	1
29	15D412	Integrator Cap	1
30*	110966	O-Ring; PTFE	2
31	15D389	Integrator Housing	1
32	15D430	Static Mixer Tube	1
33	118822	Static Mixer Element	2
38*	119187	O-Ring; PTFE	2
40	501867	Check Valve	2
44	248271	Shutoff Valve	2
45	110336	Pipe Connector	2
46	110208	Pipe Plug; 1/8-27 npt	1
49	C19364	Set Screw; 1/4 UNC x .75	2

* Parts included in Kit 248444 (purchase separately).

† Parts included in Kit 248430 (purchase separately).

Part No. 234593

Used with ProMix Easy™ Proportioner (carbon steel)

Ref. No.	Part No.	Description	Qty.
1	15D239	Integrator Body	1
2	15D310	Manifold Housing	2
3*†	110135	O-Ring; PTFE	2
4†	117558	Spring	2
5†	15D312	Ball Guide Bushing	2
6†	105445	Ball; 1/2"	2
7†	196832	Seat	2
8*†	104319	O-Ring; PTFE	2
9*	111316	O-Ring; chemical resistant fluo- roelastomer	2
10	15D311	Valve	2
11	101950	Screw; 1/4-20 UNC x 2.5"	8
12	102915	Drive Pin	2
13	110082	Retaining Ring	2
15	15D336	Ratio Housing	2
16	287222	Dispense Valve; see manual 310655	2
18	156823	Swivel Union; 1/4-18 npt	2
19	101970	Pipe Plug; 1/4-18 ptf	2
20	244683	Sampling Valve	2
22	116746	Barbed Fitting	2
23	101885	Screw; 1/4-20 UNC x 1.75"	2
24	118831	Clamp Cover	1
25	118830	Tube Clamp	1
26	118823	U-tube	1
27	15D637	Integrator Mixer	1
28	15D638	Mixer Cap	1
29	15D412	Integrator Cap	1
30*	110966	O-Ring; PTFE	2
31	15D389	Integrator Housing	1
32	15D430	Static Mixer Tube	1
33	118822	Static Mixer Element	2
38*	119187	O-Ring; PTFE	2
40	501867	Check Valve	2
44	214037	Shutoff Valve	2
45	113093	Pipe Connector	2
46	110208	Pipe Plug; 1/8-27 npt	1
49	C19364	Set Screw; 1/4 UNC x .75	2

* Parts included in Kit 248445 (purchase separately).

† Parts included in Kit 248430 (purchase separately).