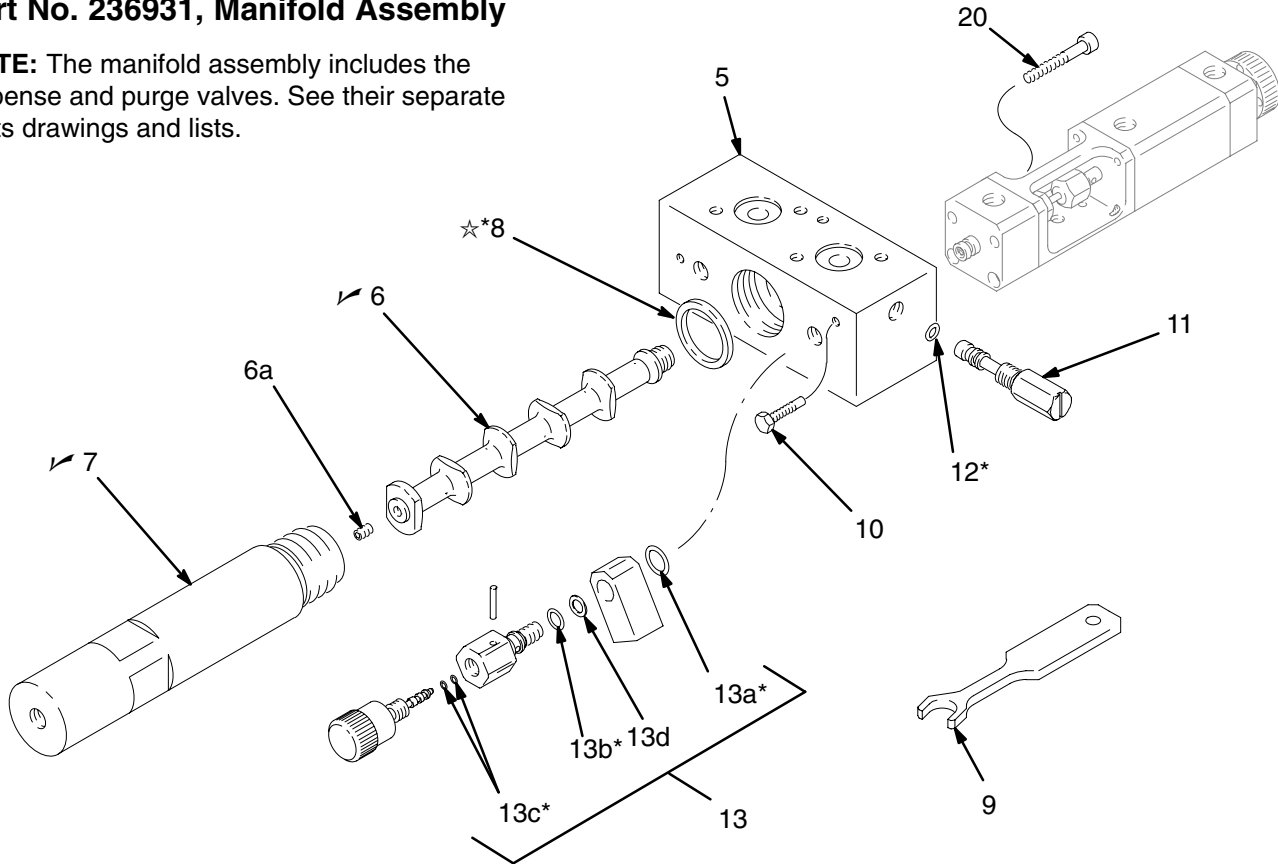


# Manifold Parts

## Part No. 236931, Manifold Assembly

**NOTE:** The manifold assembly includes the dispense and purge valves. See their separate parts drawings and lists.



01916F

Ref. No.	Part No.	Description	Qty.	Ref. No.	Part No.	Description	Qty.
1	236930	DISPENSE VALVE ASSEMBLY (see page 28)	2	13a*	107505	•O-RING, PTFE	2
2	236929	PURGE VALVE ASSEMBLY (see page 27)	2	13b*	111450	•O-RING, CV75	2
5	111051	BLOCK, mixing	1	13c*	111504	•O-RING, CV75	4
5a	116134	PLUG, pipe	2	13d	116416	•WASHER, PTFE	1
6✓	238243	TUBE, integrator; Includes item 6a	1	20	111120	SCREW, socket head; M5 x 0.8 x 35 mm	4
6a	111260	•SCREW, M5 x 0.8 x 8.0 mm	1	* These parts are included in Repair Kit 948588, which may be purchased separately. The repair kit also includes: Ref No. 53, part no. 111457 PTFE o-ring, quantity of 2, on page 27; and Ref No. 131, part no. 111116 PTFE o-ring, quantity of 4, on page 29.			
7✓	111053	HOUSING, integrator	1				
8*☆	110966	O-RING, PTFE	1				
9	190047	WRENCH	1				
10	111058	SCREW, retaining	2	☆ An optional CV75 o-ring is available. See <b>Accessories</b> .			
11	236923	KNOB, fluid shut-off	2				
12*	512063	O-RING, Chemraz	2				
13	240830	VALVE, ratio check; Includes replaceable items 13a–13d	2	✓ Keep these spare parts on hand to reduce down time.			